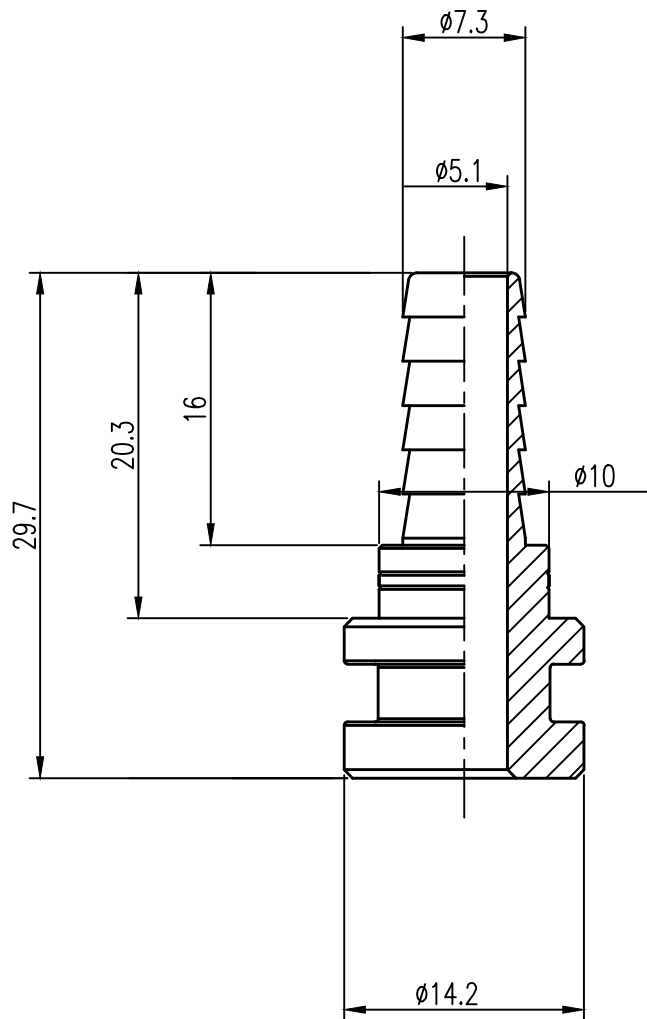


O ring: $\varnothing 14.8 \times 2.7$



For parts there is no tolerance marked, please according to GB1804-M

Dimension	Tolerance					
>0.5-3	± 0.1					
>3-6	± 0.15					
>6-30	± 0.2					
>30-120	± 0.3					
>120-400	± 0.4					
400 above						

SS304



Stahlnippel 7mm zu
Flojetpumpen 5000 /
G55 / G58 / RLF

11.00089