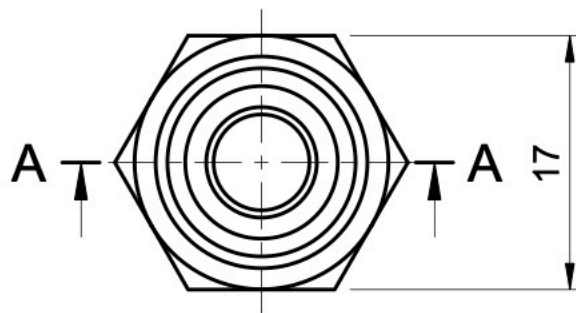
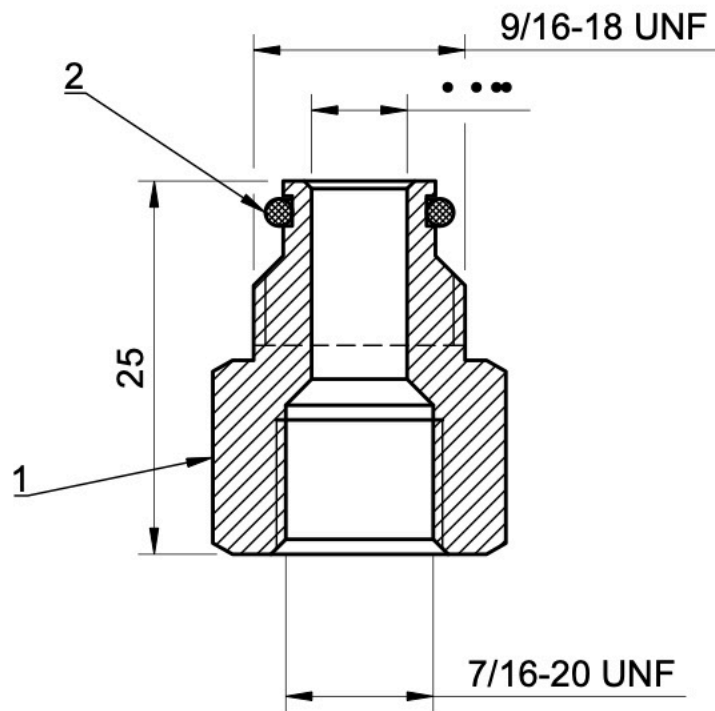


A-A (2:1)



| 2 | O ring | 2 | NBR | •••ID•••• |
|-------|-----------|-----|--------------|-----------|
| 1 | Nipple | 1 | SS304 | |
| Item. | Part name | Qty | Raw material | Remark |

For parts there is no tolerance marked, please according to the below sheet.

| Dimension | Tolerance | | | | | | |
|-----------|-----------|--|--|--|--|--|--|
| >0.5-3 | •••• | | | | | | |
| >3-6 | •••• | | | | | | |
| >6-30 | •••• | | | | | | |
| >30-120 | •••• | | | | | | |
| >120-400 | •••• | | | | | | |



| | |
|-------------|-------------------------------------|
| Part number | 15.00311 |
| Part name | Adapter IG 7/16" - 9/16" mit O-Ring |
| | Page 1 of 1 |