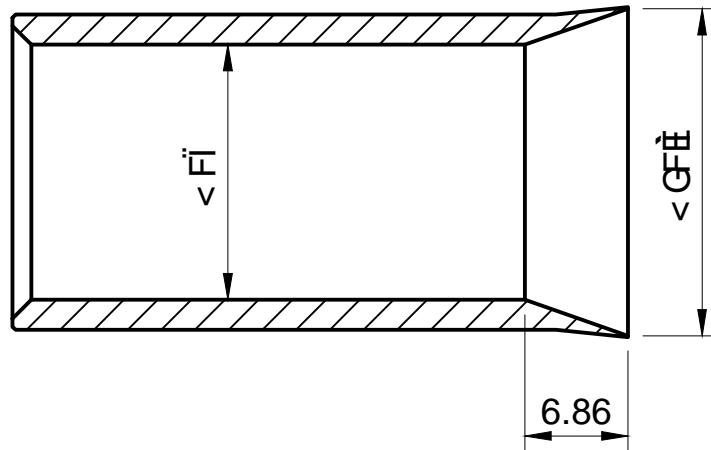


A-A (2:1)



For parts there is no tolerance marked, please according to GB1804-M

Dimension	Tolerance					
>0.5 - 3	± 0.1					
>3 - 6	± 0.15					
>6 - 30	± 0.2					
>30 - 120	± 0.3					
>120 - 400	± 0.5					

SS304



Fast Flow
 OE • |æ ç\i|e} * ^i } * Æâ^ • æ@
 auf 65mm zu Flomatic

08.00971